

Weighing pallet truck

Quality design and finish, with a friendly use. Dust paint for maximum duration.
Easy operation with multifunction indicator and LCD display.



FEATURES:

- Weighing pallet truck.
- Structure in powdered painted steel.
- Wheels of cast steel and polyurethane external coating.
- 2 versions:
 - No printer
 - With printer

INDICATOR:

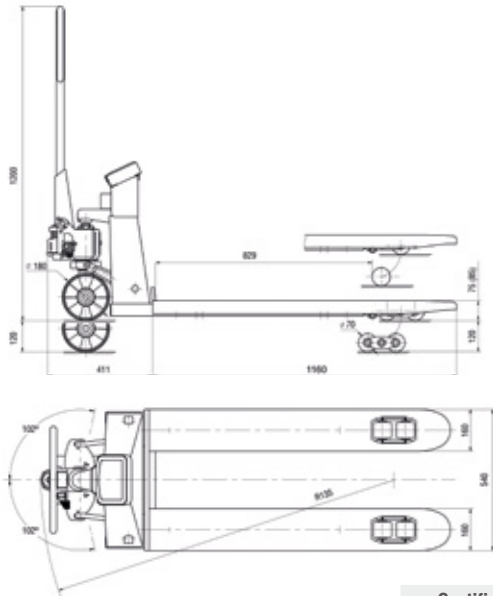
- ABS housing LCD display. With steel impact protection part.
- IP54 protection.
- Units kg and lb.
- Bubble level.
- Rechargeable internal battery 6V 4.5Ah.
- Power supply with adaptor AC/DC 100-240Vac 50/60Hz.
- Operating temperature -10°C a 40°C.

FUNCTIONS:

- Accumulation
- Zero
- Tare
- Gross/ Net
- Piece counting function
- Checkweighing function
- Hold function
- Weight for percentage

PRINTER:

- Printer version prints tare, gross and net.
- Date and time



Code #	Capacity (kg)	Readout (g)	Printer	Packing dimensions (mm)	Packing weight (kg)	Certifications	
						ENAC	
						Code #	
261026	2000	500		1600x600x1400	118	900004	
261030	2000	500	•	1600x600x1400	118	900004	