

Retail scale



FEATURES:

- Balance weight-price-cost.
 - EC approval of the model with series verification.
 - House in ABS.
 - Plate in stainless steel.
 - Dimensions of the plate: 365x235 mm.
 - Column with screen included in both sides.
 - Column in painted aluminum and base in ABS.
 - Individual screens for the weight, price per unit and total price.
 - Sales statistics of 1 seller.
 - LCD back illuminated screens.
 - 28 keys of direct memorized price and 71 additional PLU.
 - Internal rechargeable battery of 6V. It lasts up to 200 hours (and 12 hours to load).
 - Power supply with adaptor AC/DC 240Vac 50Hz.
 - Temperature of use: -10°C + 40°C.
- Automatic opening of the drawer purse with a function key (drawer purse accessory available).
 - Customizable independent menu: for calculation mode (active/deactivated) and automatic opening in the operation (active/deactivated).
 - Printer included. Paper of 57 mm in width and Ø51mm.
 - Shortcut key for paper feed.
 - Ticket headboards which can be configurable alphanumerically. Headboard of 4 lines and foot of one line.
 - Ticket number identification and number of series to follow the applicable regulations of simplified invoice.
 - Printing formats of report:
 - Sales per type, gathered per PLU's, pieces, kilograms. It includes total amount and information about the total VAT amount.
 - It shows line per line all the operations done. It includes subtotal and total (there is no VAT breakdown).
 - Printing with VAT breakdown.
 - The period of the sales report can be selected (whole days) and headboard.
 - Printing languages: Spanish, French, English, Portuguese and Italian.

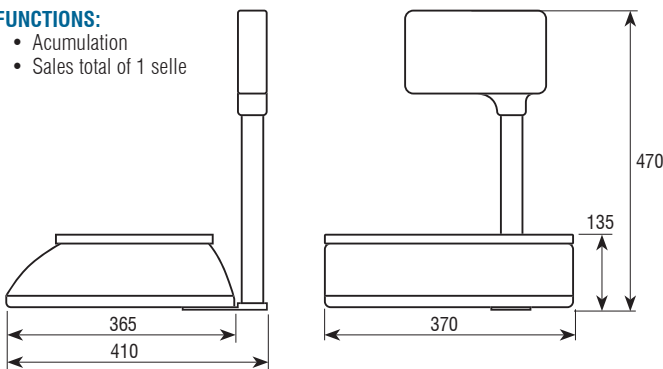


RTI with CD410 (Not included)



FUNCTIONS:

- Accumulation
- Sales total of 1 selle



Dimensions (mm)



Back screen column



Printer included

Code #	Capacity (kg)	Readout (g)	Pan dimensions (mm)	Packing dimensions (mm)	Packing weight (kg)
260472	6/15	2/5	365x235	255x525x465	9
260471	15/30	5/10	365x235	255x525x465	9

Accessories

Code #	Accessories description
270417	Pan to weight fruit
910020	Plastic cash drawer 330A
910094	Metal cash drawer 410